

# Hydraulic excavator

## EXHY35

### EXCAVATOR SPECIFICATIONS

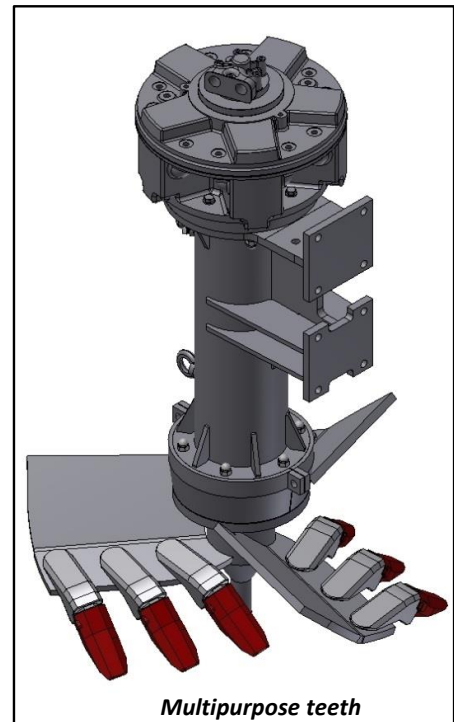
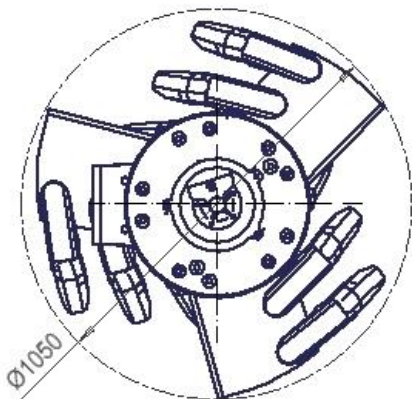
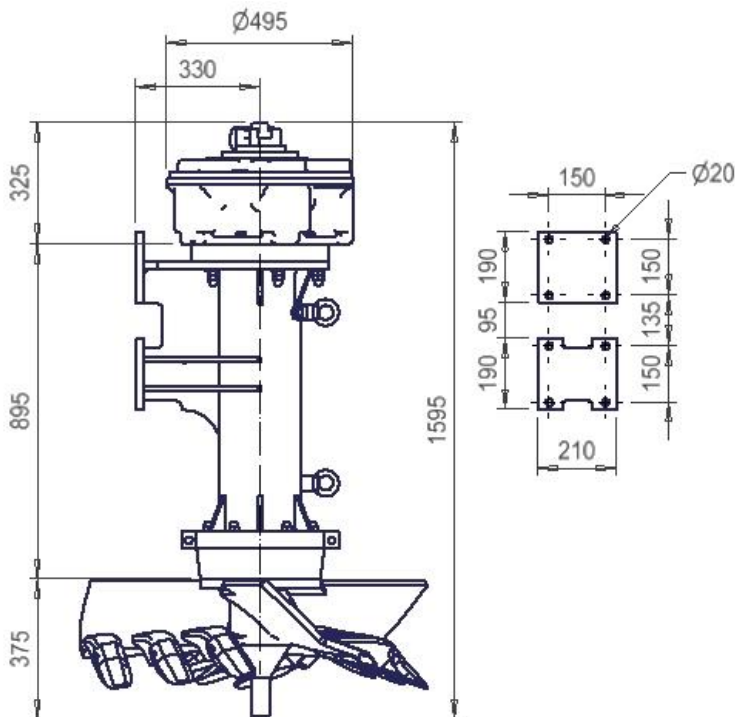
Torque (kNm)	4.5
Blades n°	3
Teeth n° (each blade/total)	3/9
Weight [kg]	600

### HYDRAULIC MOTOR

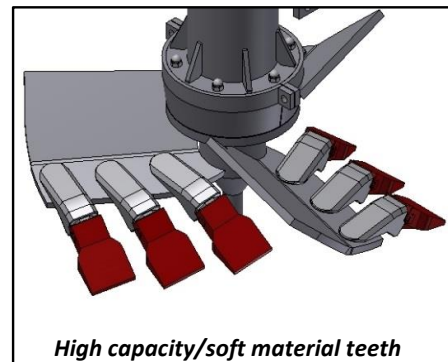
Motor displacement [cc]	1200
Max. oil flow rate [l/min]	60
Max. pressure [bar]	250
Power [kW-HP]	25-34
Speed [RPM]	50

### LUBRICANT

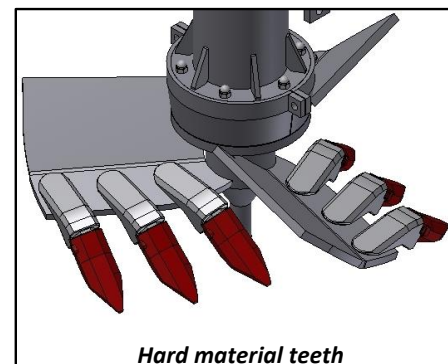
Oil type	ISO 320
----------	---------



Multipurpose teeth



High capacity/soft material teeth



Hard material teeth